

# SPECIFICATION

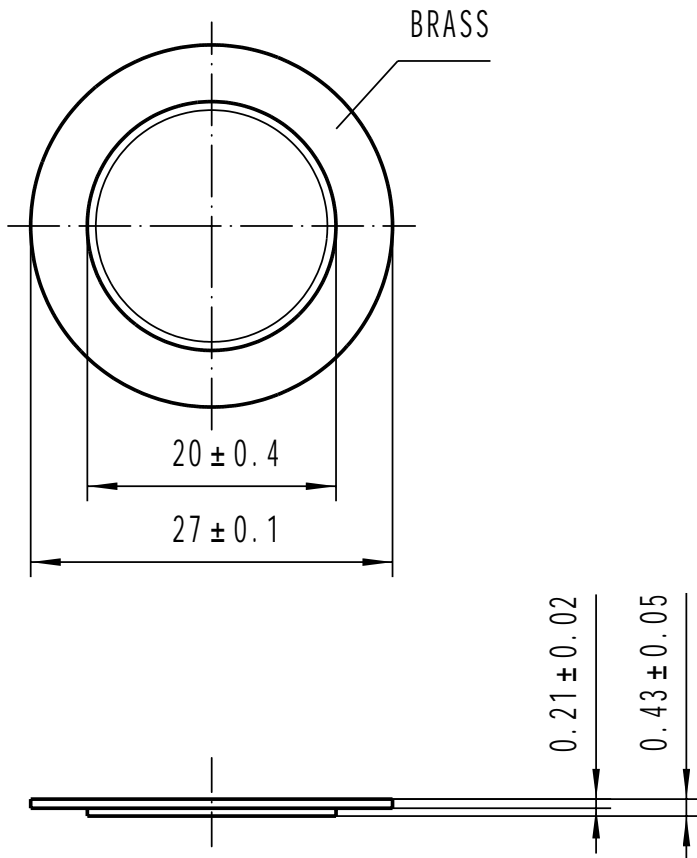
## 1. SCOPE

This specification is applied to the piezo-element.

## 2. SPECIFICATION (at 25 °C)

- 2.1 Resonant Frequency : 4.2 ± 0.5 KHz
- 2.2 Resonant Resistance : 300 max
- 2.3 Capacitance : 25000 pF ± 30% at 100Hz
- 2.4 Input Voltage : 30 Vp-p max
- 2.5 Operating Temperature : -20 ~ +50
- 2.6 Storage Temperature : -20 ~ +60

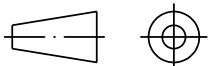
## 3. DIMENSION as per figure



TOLERANCES UNLESS NOTED OTHERWISE

- .X ±
- .XX ±
- .XXX ±
- 90° FORMED +2°
- ANGLES -1°

FIRST ANGLE PROJECTION



	SIGN	DATE	KEPO MODEL NO.	CUSTOMER		
PREP.		01.01.10	MFT-27T-4.2A1	CUSTOMER NO.		
ENG.				DWG NO.		
PROJ.			KP3.840.797	REV	1.0	SHEET
CONTRACT NO.				UNIT:	mm	SCALE

AGENCY APPROVAL

**KEPO CO. LTD.**

TEL: (+86)574-88370330  
FAX: (+86)574-88370329